

Kempower Movable Charger

The Kempower Movable Charger is the stand-alone, mobile solution for fast DC charging of all types of electric vehicles.

The Movable Charger can be used anywhere: events, bus & truck depots, logistics centers, car service shops, and other locations where fast charging is needed. The only requirement for using the plug-and-play Movable Charger is a 63 A or 32 A mains socket.

The Movable Charger can have one or two DC charging outputs, with CCS2 and CHAdeMo as options. The available charging power is automatically distributed between the charging outputs.

There are two output voltage levels: 400 VDC and 800 VDC.



Power range

Up to **40 kW**

Number of outputs

1-2



- 1 7" touch screen display
- 2 RFID reader (ISO 14443A)
- 3 Vehicle connectors
- 4 Charging status indication LEDs
- 5 Removable wheels
- 6 Mounting pad



Movable Charger for easy use wherever needed



Plug & play, easy to commission & use



On-screen QR code for following the charging status on your mobile phone



Removable wheels for fixed installation



Stand-alone charging system



Advanced charging control and customization with Kempower ChargeEye

Product code interpretation

T500•P40•CD•7•B•S•C0

Kempower Movable Charger T500 • 40 kW charging power • CCS2 & CHAdeMO vehicle connectors • charging cable length 7 m • nominal charging cable current 125 A for CHAdeMO and 150 A for CCS2 • standard user interface • unbranded

Item	Code	Description
Product type	T500	Kempower Movable Charger T500
	T800	Kempower Movable Charger T800
Charging power	P40	40 kW at nominal voltage
Vehicle connector type	C	CCS2
	CC	2 x CCS2
	CD	CCS2 & CHAdeMO
Charging cable length	5	5 m
	7	7 m
Nominal charging cable current	A	80 A (CCS2)
	B	125 A (CHAdeMO), 150 A (CCS2)
User interface	S	Standard user interface
Branding options	C0	Unbranded, no stickers
	Cn	Branded: number (n) indicates branding, e.g. C8

General electrical specifications

Grid connection (AC)	3P+PE
Grid supply connector	IEC 60309
Supply cable length	5 m
Input nominal voltage	400 VAC
Input operating voltage	380...480 VAC +6%/-10%
Input frequency	50...60 Hz
Nominal input power	47 kVA (at nominal input voltage)
Power factor at full load	0.92
Efficiency at full load	94%
Idle power	20 VA
Overvoltage category	III
Rated conditional short-circuit current	25 kA
Network type	TN-S, TN-C, TN-C-S, TT

Environmental specifications

Operating temperature	-30...+50 °C
Current derating	Charging current decreases 1.5% for every 1 °C rise in temperature above +40 °C
Maximum altitude without derating	2000 m
Altitude derating	Charging current decreases 1.4% for every 100 m rise above 2000 m
Operational noise level	< 60 dB at 1 m distance
Storage temperature	-40...+60 °C
Ambient air humidity	< 95% relative humidity
Enclosure rating	IP54, IK10

Connections and protocols

WiFi	802.11 b/g/n (2.4/5 GHz)
Cellular/GPS	LTE-FDD, LTE-TDD, WCDMA, GSM
Ethernet	RJ45, IEEE 802.3/802.3u
OCPP	1.6j/2.0.1
Connectivity	Kempower ChargeEye solution
CCS2	DIN 70121:2012, ISO 15118:2013, ISO 15118:2010
CHAdeMO	0.9/1.0

Electrical protections

Over/undervoltage
Surge protection
Short circuit
Overload protection
Earth leakage current monitoring
Device overtemperature
Vehicle connector pin temperature monitoring

DC charging output

	T500	T800
Nominal output power at 400 VAC	40 kW (with 2 outputs: Dynamic 40 kW one output or 20 kW per output) at 400 VDC	40 kW (with 2 outputs: Dynamic 40 kW one output or 20 kW per output) at 667 VDC
Nominal output current	2 x 50 A, 1 x 100 A	2 x 30 A, 1 x 60 A
Output voltage range	150...500 VDC	200...920 VDC

Product codes

Product code	Charging outputs	Vehicle connector	Simul. charging with 2 outputs	Nominal charging cable current
T500				
T•C•5B•S	1	CCS2	N/A	150 A
T•CC•5B•S	2	2 x CCS2	Yes	2 x 150 A
T•CD•5B•S	2	CCS2 & CHAdeMO	Yes	150 A & 125 A
T800				
T•C•5A•S	1	CCS2	N/A	80 A
T•CC•5A•S	2	2 x CCS2	Yes	2 x 80 A
T•CD•5AB•S	2	CCS2 & CHAdeMO	Yes	80 A & 125 A

Note: Versions with 7 m charging cables, change 5 to 7 in the product code, e.g. from T500•P40•CD•5•B•S to T500•P40•CD•7•B•S

Note: T800 with CHAdeMO, voltage and power limitations apply

Compliance to standards

IEC 61851-1
IEC 61851-23
IEC 61851-21-2

Options

CCS1 vehicle connectors	Available upon request
Customized branding	Branding options, such as custom colors and stickers Contact Kempower for availability, pricing, and minimum order quantity

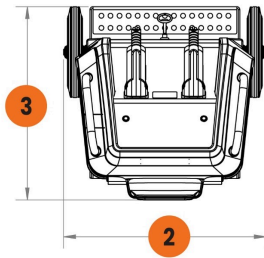
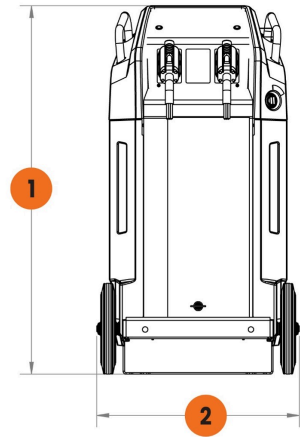
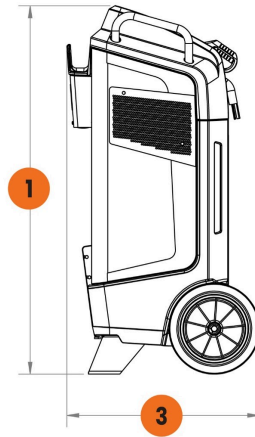
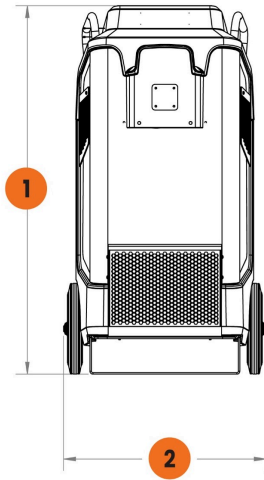
Mechanical dimensions

Size (W x H x D)

638 x 1216 x 670 mm

Weight

1 charging cable	140–150 kg
2 charging cables	160–180 kg



- 1 1216 mm
- 2 670 mm
- 3 638 mm